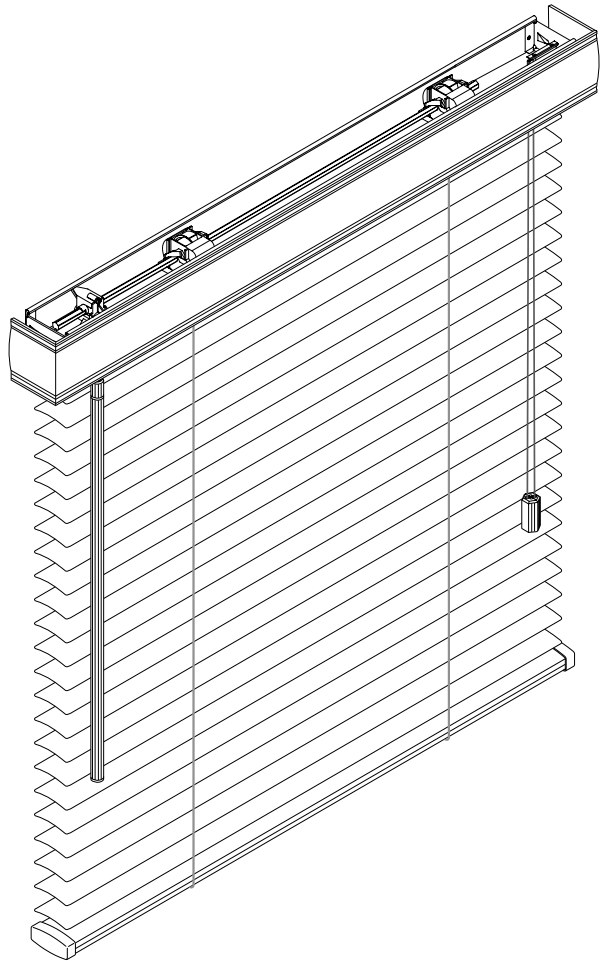


Installation and Care Instructions



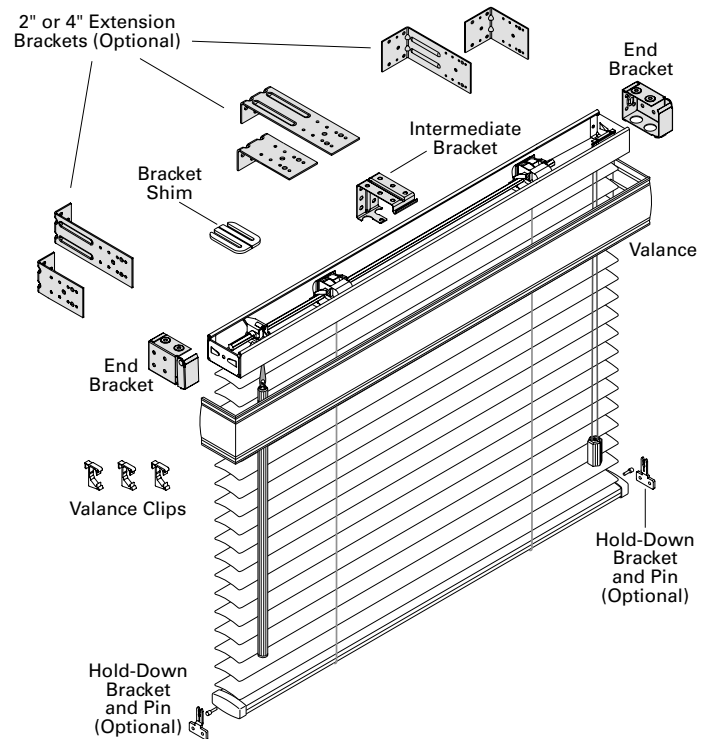
2" Horizontal Aluminum Blinds

HunterDouglas
window fashions

THANK YOU for purchasing a Hunter Douglas product. Your new blind has been custom built for you from the highest quality materials. Once in your window, it will provide you with a lifetime of beauty and trouble-free use.

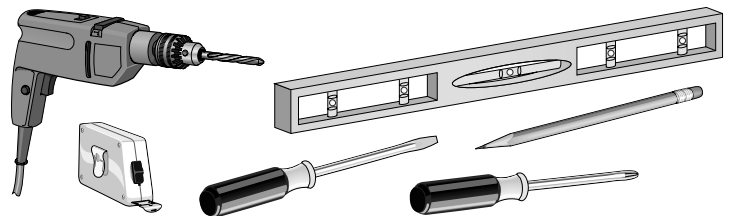
Getting Started

- Remove the blind from the package. Keep the packaging until the blind operates to your satisfaction.
- Check the diagram to make sure you have the necessary parts.
- Contents of your hardware package may vary depending upon product design, mounting options chosen and whether intermediate brackets are needed.






Tools needed for installing your shade.

- Measuring Tape
- Carpenter's Level
- Pencil
- Flat Blade Screwdriver
- Power Drill, 1/4" Hex Driver and Drill Bits
- Phillips Screwdriver



In addition, you will need fasteners designed to work with your specific mounting surfaces:

Mounting Surface	Fastener
Drywall, Plaster	Wall Anchors, Expansion Bolts (Not Provided) 
Metal	Sheet Metal Screws (Not Provided) 
Wood	No. 6 Hex Head Screws (Provided) 

For assistance, call the Hunter Douglas
Customer Information Center
at 1-888-501-8364
7:00 AM to 4:30 PM MST, Mon.-Fri.
Visit our Web site at hunterdouglas.com

1 Mount the Brackets

Mounting Options

The installation brackets may be *inside mounted*, *ceiling mounted* or *outside mounted*. In all cases, level mounting is essential.

- With inside mounts or ceiling mounts, use a carpenter's level to check that the mounting surface is level. Shim the brackets, if necessary.
- With outside mounts, the tops of the brackets must be level and aligned at the same height.
- Intermediate brackets are required if the blind is over 48" wide (see chart below).

Shade Width	Intermediate Brackets
12" – 48"	0
48 ¹ / ₈ " – 72"	1
72 ¹ / ₈ " – 96"	2
96 ¹ / ₈ " – 120"	3
120 ¹ / ₈ " – 144"	4

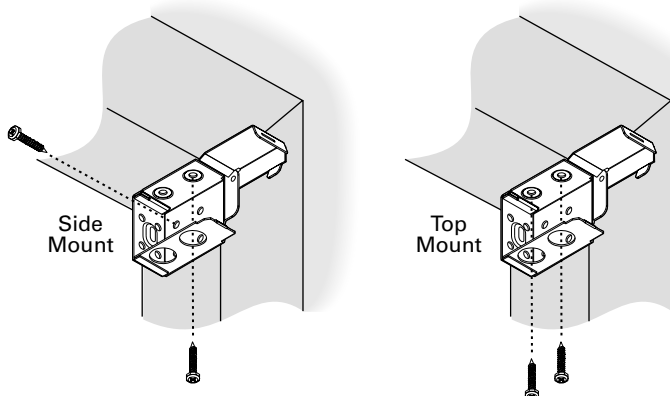
Inside Mount or Ceiling Mount Applications

With inside mounts, attach the two end brackets flush against the sides of the window casement.

- Side mount the brackets with one screw through a side hole and one screw through a top hole, as shown below.
- Top mount the brackets with screws through the two top holes.
- If limited mounting depth is available, the bracket may be mounted with two screws through diagonal side holes.

A casement depth of 2⁵/₈" is required to fully recess the blind inside the opening. A minimum depth 1¹/₈" is required for bracket attachment.

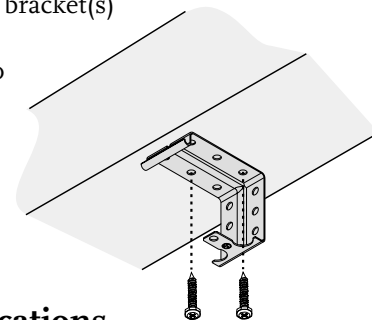
With ceiling mounts, the brackets are top mounted with screws through the two top holes. You may need to add a bracket shim to allow clearance for the valance clips.



Intermediate Brackets (If Required)

Evenly space the intermediate bracket(s) between the two end brackets.

- Adjust spacing if needed to avoid interference with internal headrail mechanisms.
- Attach with two screws through diagonal holes.

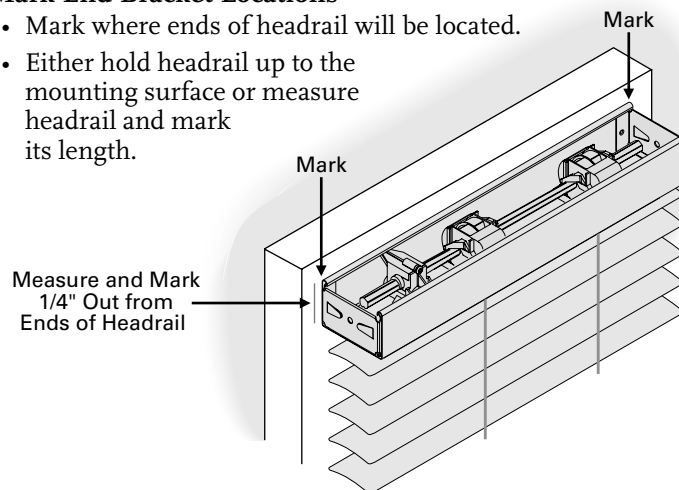


Outside Mount Applications

A flat vertical surface at least 1³/₄" high is required for bracket attachment.

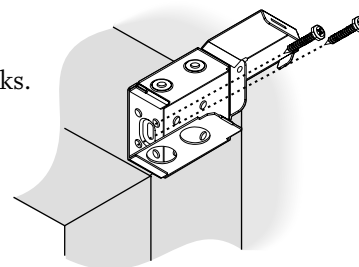
Mark End Bracket Locations

- Mark where ends of headrail will be located.
- Either hold headrail up to the mounting surface or measure headrail and mark its length.



Attach End Brackets

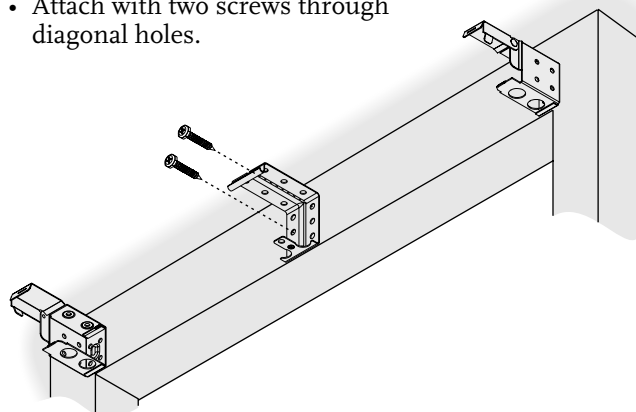
- Align outside edge of each bracket with the outer marks.
- Tops of brackets must be aligned. Check with a carpenter's level.
- Attach brackets with two screws through diagonal holes.



Intermediate Brackets (If Required)

Evenly space the intermediate bracket(s) between the two end brackets.

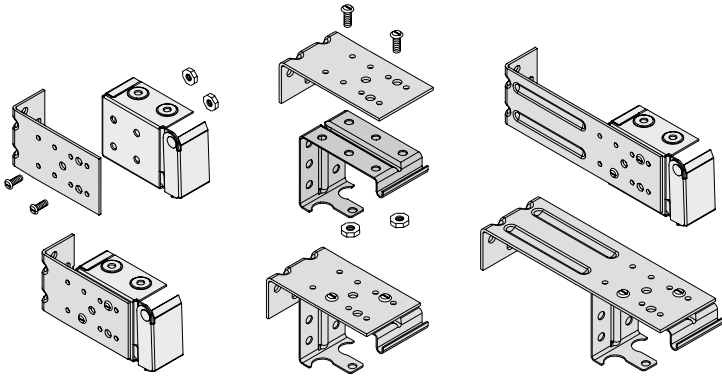
- Adjust spacing if needed to avoid interference with internal headrail mechanisms.
- The top of each intermediate bracket must align with the tops of the end brackets.
- Attach with two screws through diagonal holes.



Extension Brackets (Optional)

Attach 2" or 4" extension brackets to the mounting surface in the same locations where the end brackets and intermediate brackets would be attached.

- Align and level extension brackets with a carpenter's level.
- Use two screws to mount each extension bracket.
- Attach the installation brackets to the extension brackets using the screws and nuts provided, as shown below.



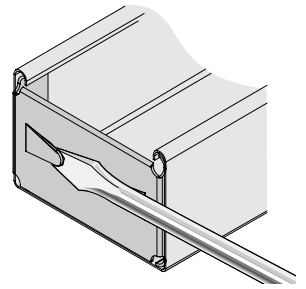
End Bracket with 2" Extension Bracket

Intermediate Bracket with 2" Extension Bracket

End Bracket and Intermediate Bracket with 4" Extension Bracket

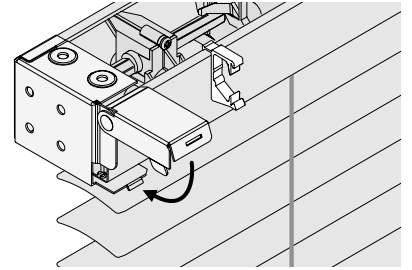
Adjust Headrail Tightness

- If the headrail is loose in the end brackets, bend the tabs on the end plates outward.
- Note: The tabs may also be bent inward if the headrail was difficult to install into the end brackets.



Close End Brackets

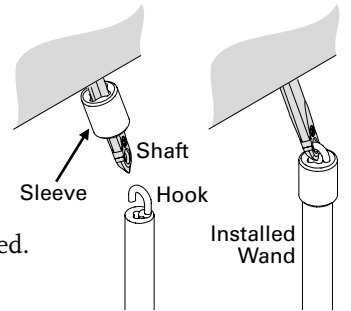
- Push the cover down until it snaps over the locking tab on the bottom of the bracket.



3 Complete the Installation

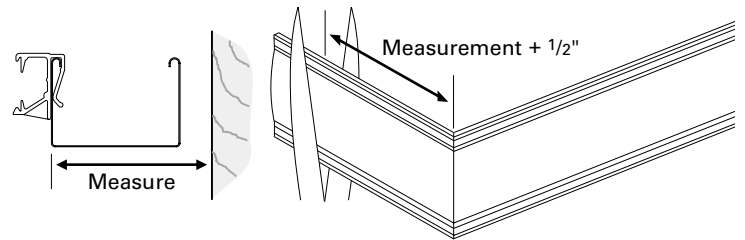
Attach the Wand (If Ordered)

- Pull the plastic sleeve from the top of the wand and insert it over the metal shaft.
- Insert the hook on the wand through the hole in the metal shaft.
- Slide the plastic sleeve down over the hook until firmly seated.

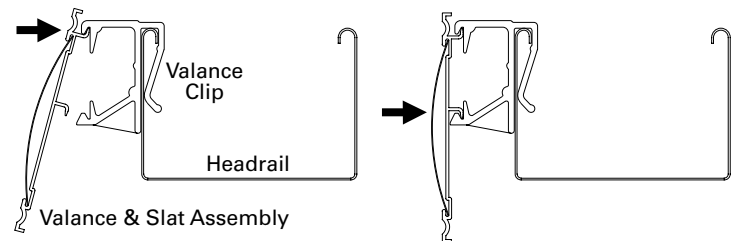


Attach the Valance

- If the valance has returns, trim the returns as needed. Refer to the illustration below.



- Tilt the valance to insert it into the upper part of the valance clip, as shown below.
- Then snap the valance into the lower part of the clip.



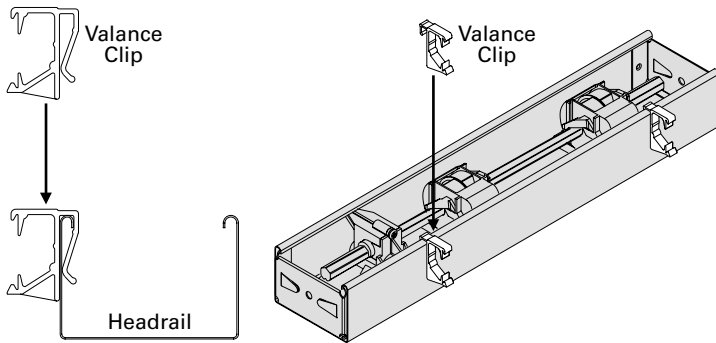
Attach Hold-Down Brackets (Optional)

- Push out the perforated pin plug from each bottom rail end cap using a ballpoint pen or similar pointed object.
- Insert a hold-down pin into each hole. Push the head of the pin against a flat surface to fully seat it, or tap the pin in place with a hammer.

2 Install the Blind

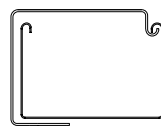
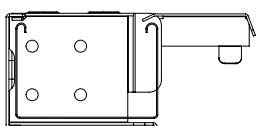
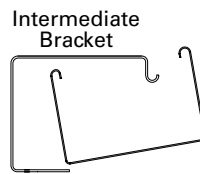
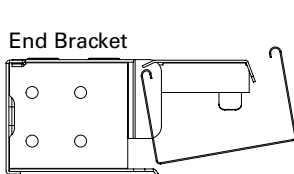
Valance Clips

- Attach valance clips to the headrail, as shown.
- Evenly space the valance clips along the length of the headrail.

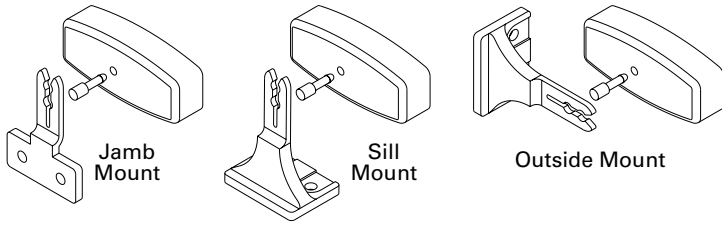


Mounting the Headrail

- Tilt headrail so that its back lip slides under the front lip of the end brackets and intermediate bracket(s).
- Push headrail against the back of the end brackets.
- Check that the front lip of the intermediate bracket(s) is under the front lip of the headrail.



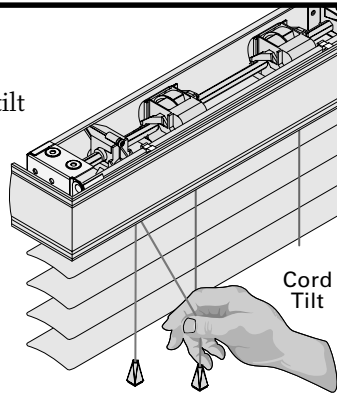
- To mount the hold-down brackets, first fully lower the blind. Align the second slot on the brackets with the pin heads in the end caps. Attach the brackets to the jamb, sill, or outside mounting surface, maintaining this alignment.
- Slide the end cap pins into the second slot of each bracket.
- If necessary with outside mounts, the first slot of the hold-down brackets may be used in place of a spacer block.



4 Operate the Blind

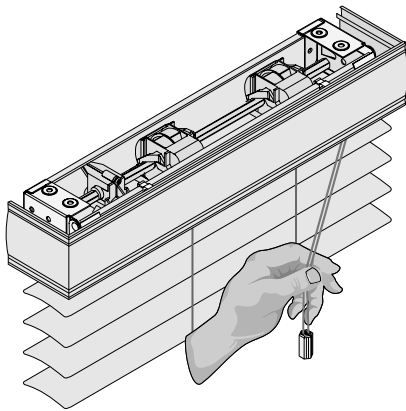
Tilting the Slats

- **Wand tilt:** Rotate the wand to tilt the slats to the desired angle.
- **Cord tilt:** The two cords with individual tassels are for tilting the slats. Each cord tilts the slats in an alternate direction.



Raising and Lowering the Blind

- Pull the single cord down and toward the center to raise and lower. The slats should be open when raising and lowering.
- Hold the cord to the outside to lock the blind in position.



Pull Cord Toward Center to Raise and Lower

(Slats should be open to raise and lower blind.)

Pull Cord Toward Outside to Lock

5 Care and Cleaning

- Dust with a soft clean cloth or chemically treated dust cloth. Tilt the slats up and dust. Then tilt the slats down (but not all the way closed) and dust the other side of the slats.
- Vacuum using the brush dust head attachment and tilt the slats up and down as described for dusting.
- Wash slats using a damp cloth and mild detergent solution.
- Bottom rail and slats may also be immersed in a bathtub for a more thorough cleaning. Do *not* immerse the headrail.
- Blinds may also be ultrasonically cleaned by an experienced, professional cleaner.

6 Child Safety



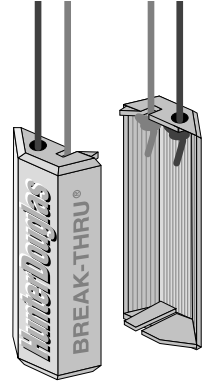
WARNING: Young children can become entangled and strangle in cords. Keep all cords out of the reach of children. Hunter Douglas provides cord cleats and we recommend their use.

Break-Thru® Tassel

- This component is designed to break apart should a child or pet become entangled in the lift cords.

Reassembly of Tassel

- Reinsert any loose cords into the top notches of the tassel. There is a notch on each side.
- Line up the right and left sides of the tassel and snap the pieces back together.



Snap Together

7 Troubleshooting

PROBLEM	SOLUTION
The blind does not raise and lower evenly.	Check inside the headrail. Make sure no obstructions keep the mechanism from turning. Check that lift cords are not pinched or tangled.
The blind will not fit into the mounting brackets.	Make sure mounting brackets are level and mounting surface is flat.



HunterDouglas
window fashions

hunterdouglas.com

Where Great Rooms Begin.

© 2003 Hunter Douglas Inc. ® Registered trademark of Hunter Douglas Inc.
™ Trademark of Hunter Douglas Inc. Patented in the U.S. and foreign countries.
U.S. and foreign patents pending.
Break-Thru® is a registered trademark of Break-Thru Corporation.



Product Code No. 5102009001

5M-9/03 B