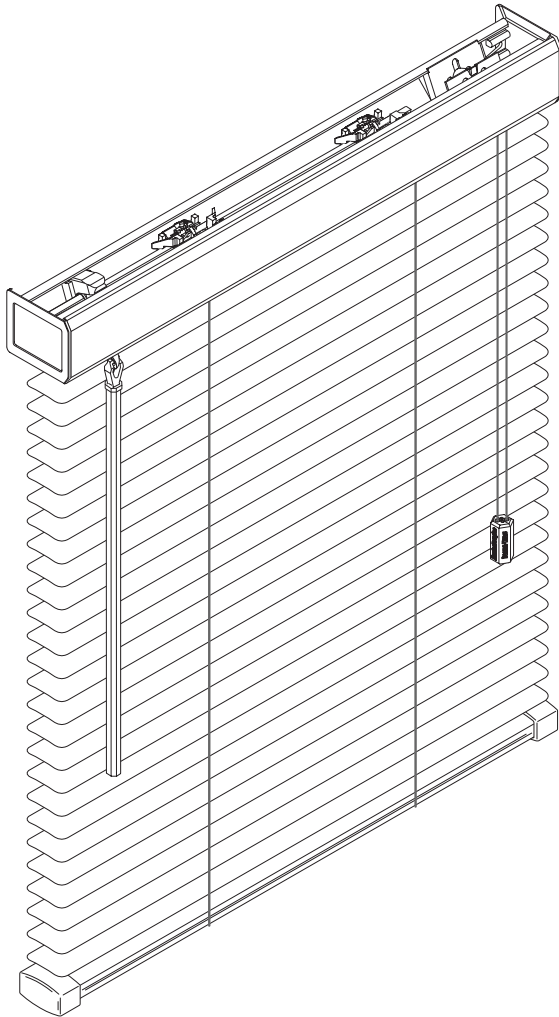


Installation and Care Instructions



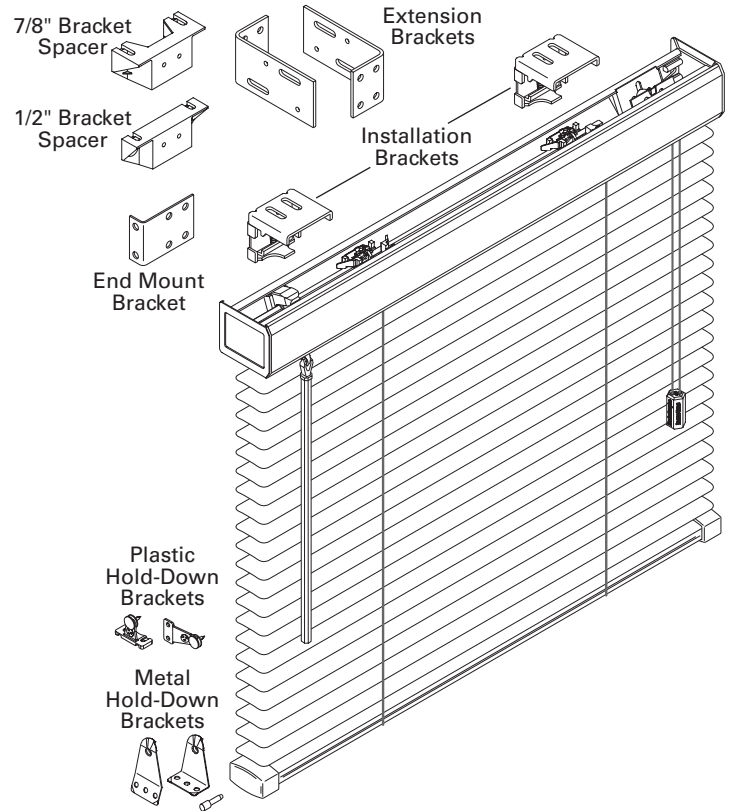
1/2" and 1" Horizontal Aluminum Blinds

HunterDouglas
window fashions

THANK YOU for purchasing a Hunter Douglas product. Your new blind has been custom built for you from the highest quality materials. Once in your window, it will provide you with a lifetime of beauty and trouble-free use.

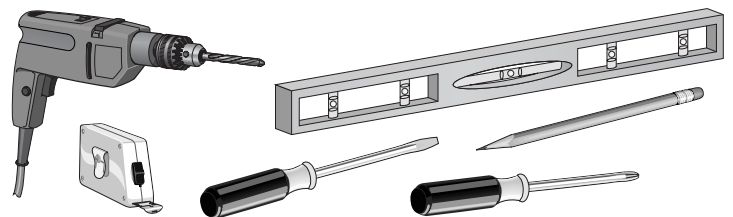
Getting Started

- Remove the blind from the package. Keep the packaging until the blind operates to your satisfaction.
- Check the diagram to make sure you have the necessary parts.
- Contents of your hardware package may vary depending upon mounting options chosen.

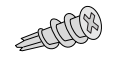




Tools needed for installing your shade.

- Measuring Tape
- Carpenter's Level
- Pencil
- Flat Blade Screwdriver
- Power Drill, 1/4" Hex Driver and Drill Bits
- Phillips Screwdriver



In addition, you may need fasteners designed to work with your specific mounting surfaces:

Mounting Surface	Fastener
Drywall, Plaster	Wall Anchors, Expansion Bolts (Not Provided) 
Metal	Sheet Metal Screws (Not Provided) 
Wood	No. 6 Hex Head Screws (Provided) 

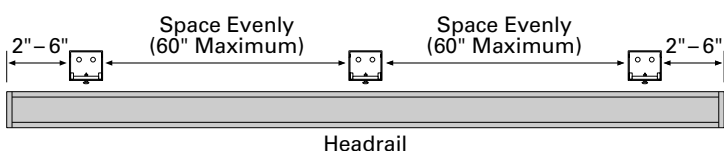
For assistance, call the Hunter Douglas
Customer Information Center
at 1-888-501-8364
7:00 AM to 4:30 PM MST, Mon.-Fri.
Visit our Web site at hunterdouglas.com

1 Mount the Brackets

Bracket Spacing

- Position the two end brackets on the mounting surface so that they will be located between 2" and 6" from the ends of the headrail.
- If more brackets are required (see chart below), space the additional bracket(s) evenly between the end brackets.

Blind Width	Under 60 Sq. Ft.	60 Sq. Ft. and Over
7" – 60"	2	3
60 1/8" – 120"	3	4
120 1/8" – 144"	4	5



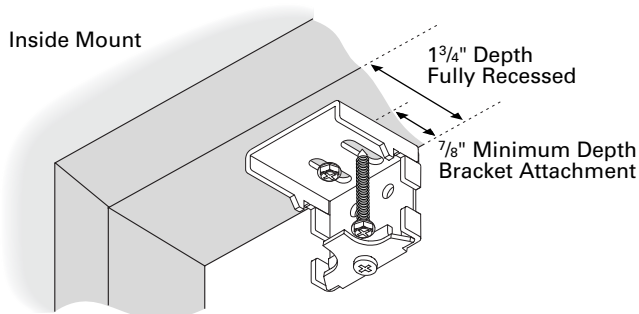
Important: Do not position any bracket where it will be located directly above a string ladder, cordlock or wand tilter. Allow 1" space on the side whenever possible.

- If the blind is larger than 60 square feet, position an extra bracket at the cordlock end for added support when raising the blind. With two-on-one headrail blinds, position an extra bracket near each cordlock.

Inside Mount Applications

Use a carpenter's level to check that the mounting surface is perfectly level. Shim the installation brackets, if necessary.

- A minimum casement depth of 7/8" is required for bracket attachment.
- A depth of 1 3/4" is required to fully recess the blind.



Inside Mount Bracket Attachment

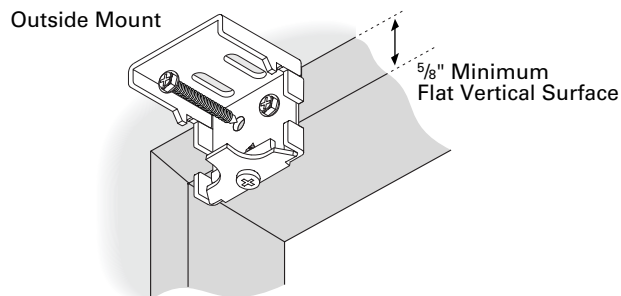
- Attach the installation brackets with two screws through the two holes in the top of the brackets.
- Be sure the front edges of the brackets are aligned before tightening the screws.

Outside Mount Applications

A flat vertical surface at least 5/8" high is required for bracket attachment.

Outside Mount Bracket Attachment

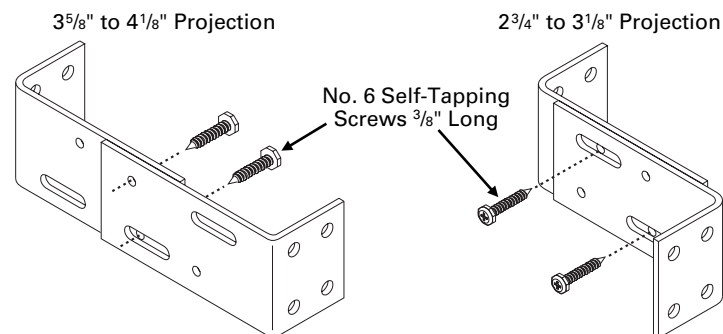
- Attach the installation brackets with two screws through the two holes in the rear of the brackets.
- Use a carpenter's level to check that the tops of the brackets are aligned at the same height before tightening the screws.



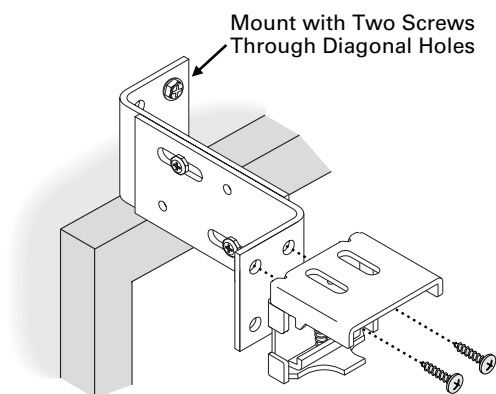
Extension Brackets (Optional)

Extension brackets can be used with outside mounts to project the installation brackets from 2 3/4" to 4 1/8" from the mounting surface. This allows for additional clearance of obstructions such as window cranks or handles.

- The extension brackets may be fastened together two different ways to produce the desired wall extension, as shown below.



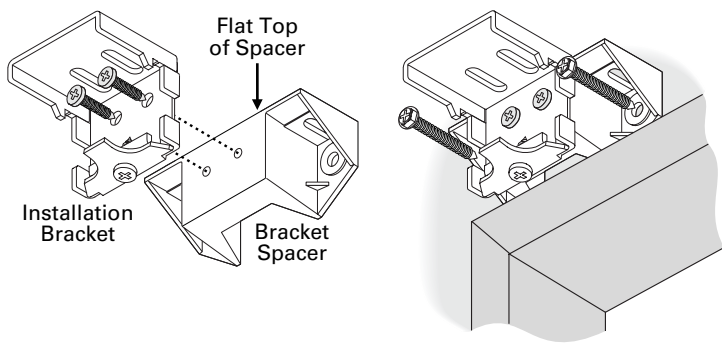
- Attach the extension brackets using #6 self-tapping screws.
- Mount the extension bracket assemblies to the window frame or wall using two diagonally located screws.
- Use appropriate fasteners to bolt the mounting brackets to the extension brackets.



Bracket Spacers (Optional)

Bracket spacers can also be used to add clearance. Two versions are available: 1/2" and 7/8".

- Attach the spacers to the installation brackets using the two screws provided with each spacer.



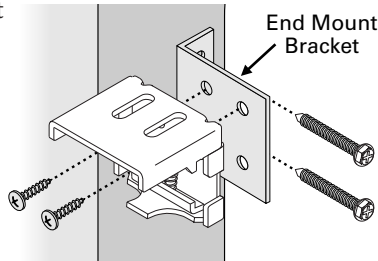
- Then attach the installation brackets to the mounting surface with screws through the two holes in the rear of the bracket spacers.
- Use a carpenter's level to check that the tops of the brackets are aligned at the same height before tightening the screws.

End Mount Applications

End mounting is used when the headrail must span an open space — an arched window opening, for example.

End Mount Bracket Attachment

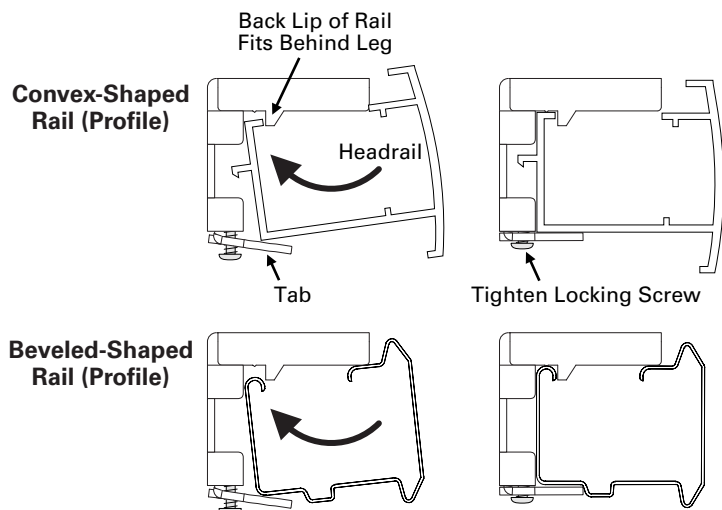
- Attach the short side of the end mount brackets to the mounting surface with two screws.
- Be sure the two end mount brackets are aligned at the same height.
- Attach the installation brackets with screws through the top two holes on the end mount brackets.



2 Install the Blind

Mount the Headrail

- Tilt back the headrail and slide it into the bracket on the sloped tab. There are two possible headrail designs, each of which is illustrated below.
- Position the back lip of the headrail behind the rear leg of the installation bracket.
- Tighten the locking screw to hold the rail securely in place.



To remove the headrail, first loosen the locking screw. Then tilt the headrail back and slide it out of the installation brackets.

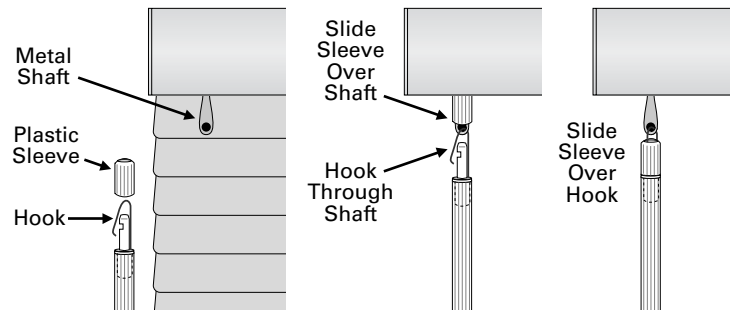
3 Complete the Installation

Attach the Wand Tilter

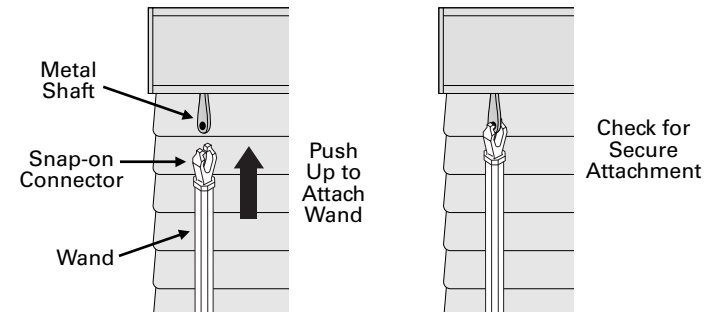
The tilt mechanism inside the headrail has a metal shaft that extends beneath the rail. The wand tilter must be attached to this shaft. There are two types of wands — hook and snap-on.

- **Hook wand:** Remove the plastic sleeve from the top of the wand, slide it over the metal shaft, insert the wand hook over the hole in the shaft, and slide the sleeve over the hook to complete the wand installation.
- **Snap-on wand:** Push up until the snap-on connector snaps into place, through the hole in the shaft.
- Test the wand tilter by tilting the slats fully closed up and fully closed down.

Hook Wand



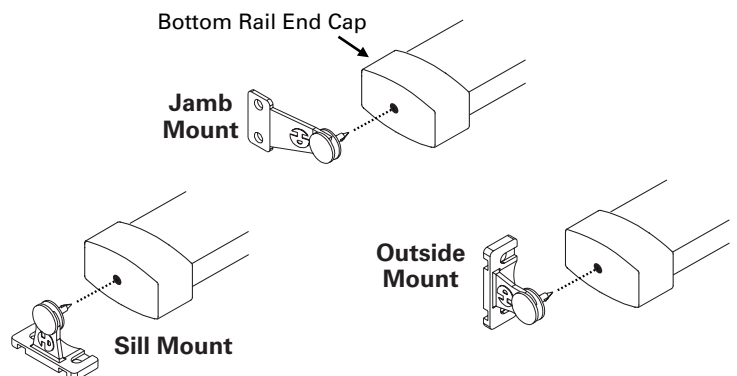
Snap-on Wand



Attach Hold-Down Brackets (Optional)

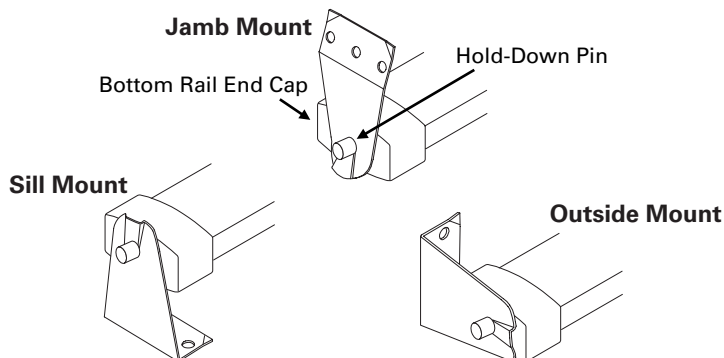
Plastic Hold-Down Brackets

- Attach the hold-down brackets to the jamb, sill or outside mounting surface. When the blind is fully lowered, the pin on the hold-down brackets must align with the center of the bottom rail end caps.
- Insert the pin on the hold-down brackets into the end caps to secure the bottom rail.



Metal Hold-Down Brackets

- Insert a hold-down pin into each of the bottom rail end caps.
- Attach the hold-down brackets to the jamb, sill or outside mounting surface. When the blind is fully lowered, the holes in the hold-down brackets must align with the pins in the bottom rail end caps.
- Insert the pins into the holes in the hold-down brackets.



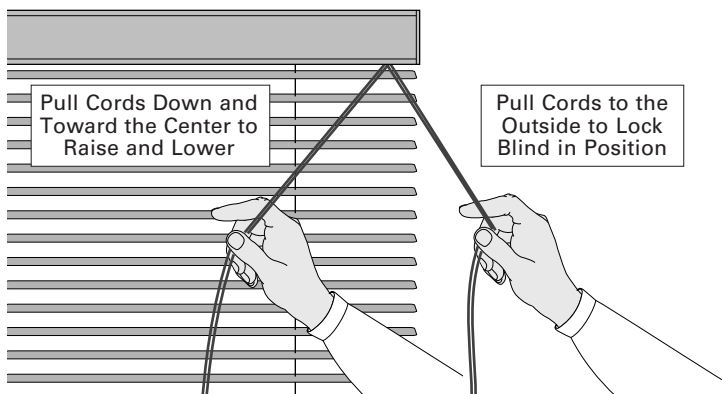
4 Operate the Blind

Tilting the Slats

- Rotate the wand to tilt the slats. Approximately six turns tilts the slats from fully closed up to fully closed down.

Raising and Lowering the Blind

- Pull the cords down and toward the center to raise and lower. The slats should be open when raising and lowering.
- Pull the cords to the outside to lock the blind in position.



5 Care and Cleaning

- Dust with a soft clean cloth or chemically treated dust cloth. Tilt the slats up and dust. Then tilt the slats down (but not all the way closed) and dust the other side of the slats.
- Vacuum using the brush dust head attachment and tilt the slats up and down as described for dusting.
- Wash slats using a damp cloth and mild detergent solution. Use warm or cold water, not hot water. Tilt the slats up and down as described for dusting.
- Bottom rail and slats may also be immersed in a bathtub for a more thorough cleaning. Do *not* immerse the headrail. Place the blind in a solution of mild, soapy water. Rinse clean and either wipe dry or allow to air dry completely.

6 Child Safety



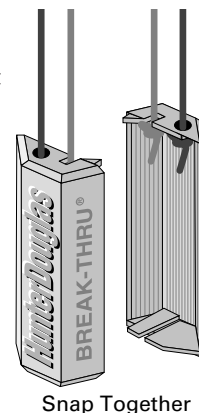
WARNING: Young children can become entangled and strangle in cords. Keep all cords out of the reach of children. Hunter Douglas provides cord cleats and we recommend their use.

Break-Thru® Tassel

- This component is designed to break apart should a child or pet become entangled in the lift cords.

Reassembly of Tassel

- Reinsert any loose cords into the top notches of the tassel. There is a notch on each side.
- Line up the right and left sides of the tassel and snap the pieces back together.



7 Troubleshooting

PROBLEM	SOLUTION
The blind does not raise and lower evenly.	Check inside the headrail. Make sure no obstructions keep the mechanism from turning. Check that the lift cords are not pinched or tangled.
The lift cord is wrapped around the ladder tape.	Remove the plastic cap on the bottom of the blind that covers the cord rout hole. Untie knot in lift cord and re-thread. Re-tie the knot and replace cap.



HunterDouglas
window fashions

hunterdouglas.com

Where Great Rooms Begin.

© 2004 Hunter Douglas Inc. ® Registered trademark of Hunter Douglas Inc. Patented in the U.S. and foreign countries. U.S. and foreign patents pending. Break-Thru® is a registered trademark of Break-Thru Corporation.



Product Code No. 5109609000

5M-9/04 B