

# Installation and Care Instructions

## Wood Vertical Blind Collection



*Crosswinds*<sup>™</sup>  
WOOD VERTICAL BLINDS

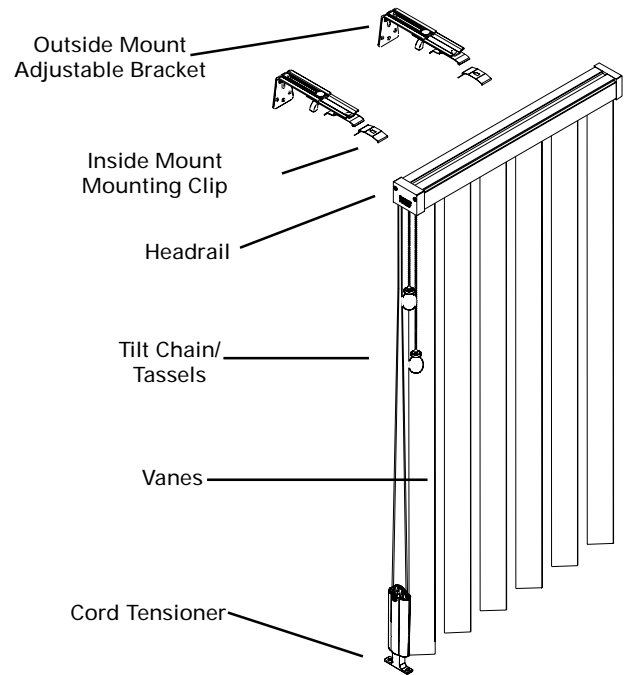
PermAlign<sup>®</sup>  
Headrail System

**HunterDouglas**  
*window fashions*

THANK YOU for purchasing a Hunter Douglas product. Your new blind has been custom built for you from the highest quality materials. Once in your window, it will provide you with a lifetime of beauty and trouble-free use.

## Getting Started

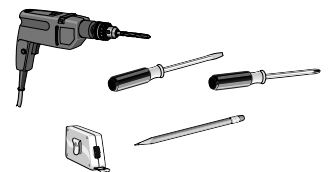
- Remove headrail, vanes and valance from package. Do not discard any of the packaging material until the blind operates to your satisfaction.
- Check the diagram below to make sure you have the necessary parts. Note: Your valance will require assembly (see Step 1).
- Contents of your hardware package may vary depending upon whether the headrail is mounted inside or outside the window frame.






For assistance, call the Hunter Douglas  
Customer Information Center at  
**1-888-501-8364**  
7:00 AM to 4:30 PM MST, Mon. – Fri.  
Visit our Web site at [hunterdouglas.com](http://hunterdouglas.com)

### Tools needed for installing your blind:

- Drill
- Flat Blade Screwdriver
- Measuring Tape
- Pencil
- Phillips Screwdriver



In addition, you will need fasteners designed to work with your specific mounting surfaces:

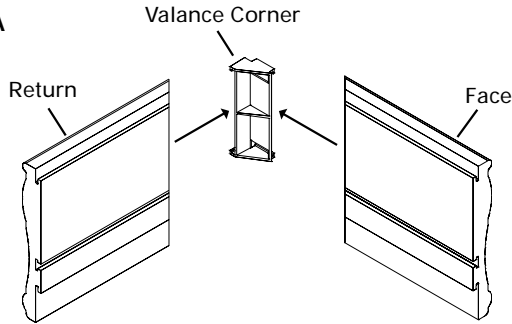
Mounting Surface	Fastener
Drywall, Plaster	Wall Anchors, Expansion Bolts (Not Provided) 
Metal	Sheet Metal Screws (Not Provided) 
Wood	No. 6 Hex Head Screws (Not Provided) 

# 1 Crestover™ Wood Valance Assembly

- The wood valance face has already been inserted into the front of the dust cover valance, with the returns packaged separately.
- It is necessary to complete the assembly of the Crestover wood valance prior to headrail installation. You will need the following components for assembly (see Illustration A).

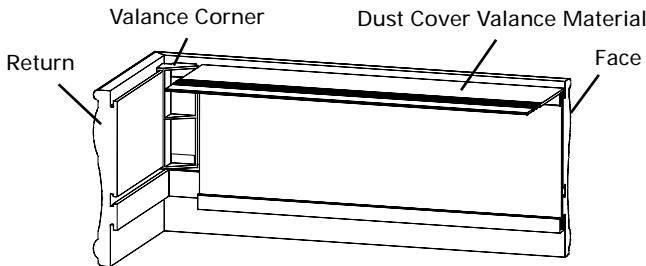
**NOTE:** For installation, the dust cover valance is mounted directly to the windowsill (inside mount) or mounted to the headrail using valance hangers (outside mount). Refer to special bracket spacing prior to installation. See Illustration C for inside mount and Illustration F for outside mount.

Illustration A



- Install Valance Corners onto each end of the valance face. Match up the return miter cuts and profile with face, install returns onto Valance Corner at each end (see Illustration B).

Illustration B



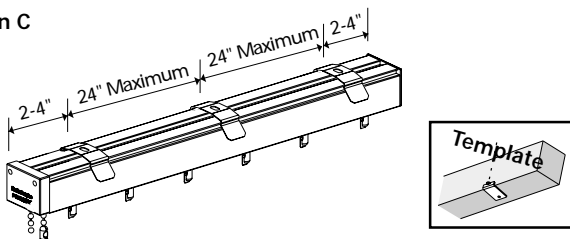
- The valance assembly is now complete.
- NOTE:** If the returns are too long, they can be shortened using a cut-off saw to remove material from the back edge. Do not cut the miter corners to shorten the returns.

## 2 Inside Mount

- Mark mounting clip locations between 2" and 4" from each end of the headrail. Evenly space intermediate clips between end clips at 18" to 24" intervals (see Illustration C). If available, use mounting template to determine consistent mounting depth.

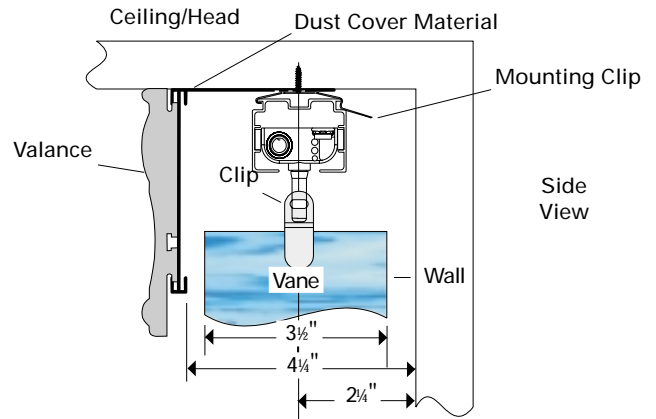
**NOTE:** If you do not have a mounting template, measure depth to allow 1/2" clearance between vane and window (i.e. 2 1/4" for 3 1/2" vanes). Blinds having widths and lengths greater than 96" will require additional brackets to support the vanes at their stacked location.

Illustration C



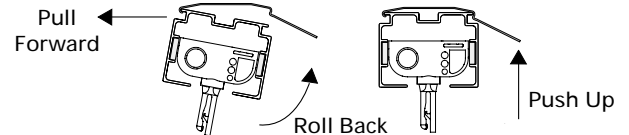
- NOTE:** The inside surface of the valance dust cover has three parallel lines, use center line to position drill holes.
- Drill pilot holes through dust cover valance at mounting clip locations as marked.
  - Insert a screw through the mounting clip.
  - Hold the valance in position, ensuring the returns are pushed flush against the wall, and drill through valance and into ceiling.
  - Tighten valance against the ceiling into its finished mounting position (see Illustration D).

Illustration D



- Center headrail underneath mounting clips.
- Tilt headrail and insert into the front ledge of the mounting clips. Pull forward and roll headrail up toward rear of the blind and snap into place (see Illustration E).

Illustration E



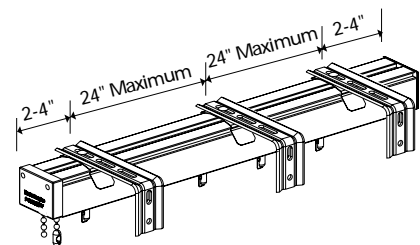
- To remove headrail, locate rear tab on mounting clip.
- Push up on rear tab of mounting clip to release the track.

## 3 Outside Mount

- Mount "L" brackets 2" to 4" from each end of the headrail. Evenly space intermediate brackets between end brackets at 18" to 24" intervals (see Illustration F).

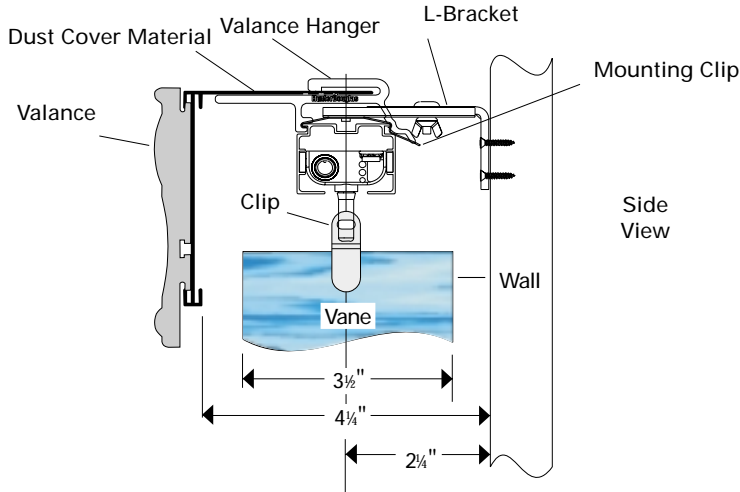
**NOTE:** Blinds having widths and lengths greater than 96" will require additional brackets to support the vanes at their stacked location.

Illustration F



- Adjust mounting clips to allow 1/2" clearance between vane and wall (i.e. 2 1/4" for 3 1/2" vane).
- Center headrail underneath mounting brackets.
- Tilt headrail and insert into the front ledge of the mounting brackets. Pull and roll headrail up toward the rear of blind and snap into place (see Illustration E).
- Snap on a valance hanger next to each L-Bracket (see Illustration G).
- Center valance in relation to the headrail and slide into valance hanger.
- Adjust L-Brackets until valance returns are flush against the wall.

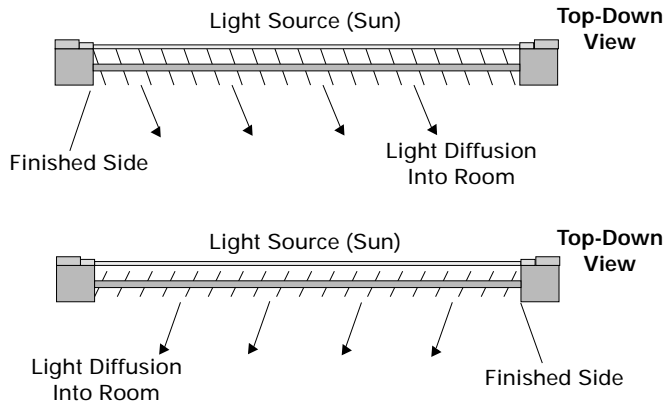
Illustration G



## 4 Attach Vanes

- Determine desired light/view direction (see Illustration H).
- **Rotate vane hooks so the slot between the long and the short prong is facing you** (see Illustration I).  
**NOTE:** Vane clips attached to vanes appear different on each side of the vane (flat side and slotted side). When installing vanes onto carrier prong, we recommend that you align the vanes clips in the same direction.
- Push vane into hook until it “snaps” into place.

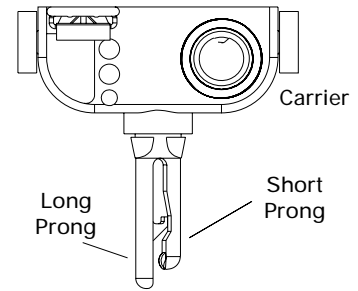
Illustration H



## 5 Remove Vanes

- Push up on the vane.
- Gently open vane hook by inserting a credit card-size piece of rigid plastic between the vane clip and the long prong of the vane hook (see Illustration I).
- Gently remove vane.

Illustration I

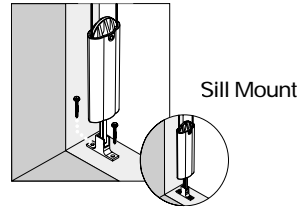


## 6 Cord Tensioner and Cord Length

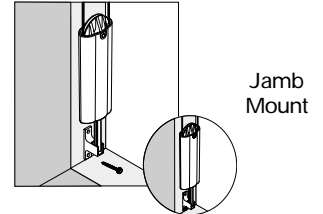
**IMPORTANT!** Cord tensioner must be properly installed for the pulley to rotate and for the cords to be kept taut. Proper installation will help reduce the chance of accidental strangulation by making the cords less accessible to young children.

**NOTE:** On the Jamb and Wall Mount only one screw is necessary.

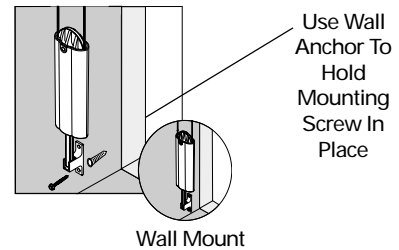
Version One: Sill Mount



Version Two: Jamb Mount



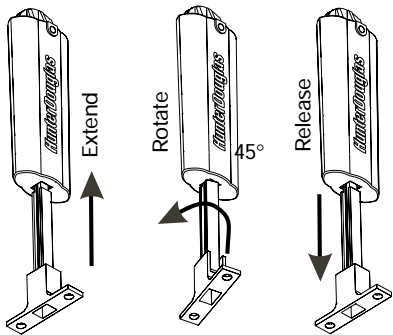
Version Three: Wall Mount



# 7 Cord Tensioning

- Establish the preferred mounting location. If cord adjustment is required, refer to step 8.
- Fully extend the cord tensioning device, rotate body 45 degrees and lock into extended position.
- Locate the mounting position.
- Hold the cord taut with the cord tensioning device in an extended position and mount the base using supplied screws.
- Release tension by rotating base 45 degrees relative to body.

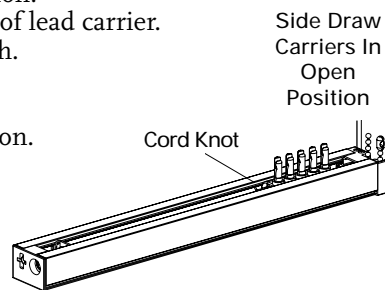
**NOTE:** Cord tensioning applies only if blind is ordered with chain and cord control system.



# 8 Cord Adjustment

To reduce cord length on a Side Draw:

- Release tension on cord.
- Place blind in open position.
- Locate cord knot in front of lead carrier.
- Pull cord to desired length.
- Tie double knot.
- Reset cord tensioner.
- Test for proper cord tension.
- Cut excess cord.

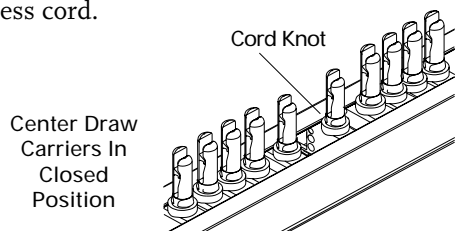


To reduce cord length on Center Draw:

- Release tension on cord.
- Place blind in closed position.
- Locate cord ends in front of lead carrier.
- Select cord knot that adjusts cord length only; **if carrier movement is observed select other cord.**

**CAUTION:** Cutting the wrong cord will cause irreparable damage.

- Pull cord to the desired length.
- Tie double knot.
- Reset cord tensioner.
- Test for proper cord tension.
- Cut excess cord.



# 9 Care and Cleaning

## Dusting

Regular light dusting with a feather duster, clean cloth, dust cloth or dusting mitt is all the cleaning that is needed in most circumstances.

## Vacuuming

Use a hand-held vacuum with low suction and soft brush for more thorough dust removal.

## Compressed Air

You can use compressed air or a hair dryer (non-heat setting) to blow the dust off your valance.

## Exposure

Protect all fine wood products from exposure to steam or high moisture areas, rain or outside irrigation systems to ensure their long life.



**HunterDouglas**  
window fashions

hunterdouglas.com

*Where Great Rooms Begin.*

©2005 Hunter Douglas Inc. ®Registered trademark of Hunter Douglas Inc.  
™Trademark of Hunter Douglas Inc.  
Patented in the U.S. and foreign countries. U.S. and foreign patents pending.